

// NEUENHAUSER AGV

Automatic Guided Vehicle

CAN TRANSPORT FOR OE - SPINNING

HIGHLIGHTS

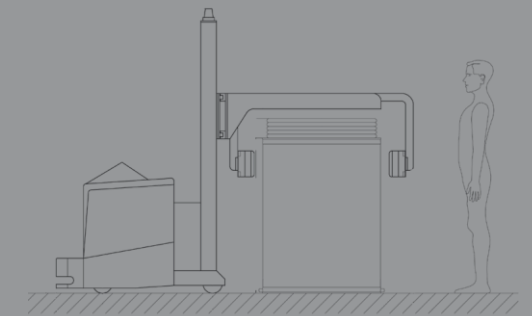
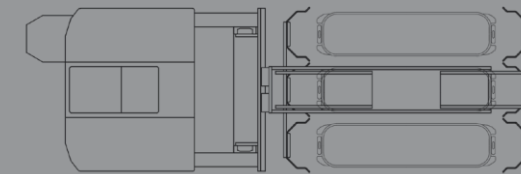
- automatic transport from draw frames to OE spinning machines
- navigation by laser or natural
- fully flexible system
- central control by HMI (human machine interface)
- vehicle is based on standard industrial AGV vehicle
- modular gripper system adaptable to different cans and can sizes



Automatic Guided Vehicle: Special designed gripper systems allow individual can positioning.



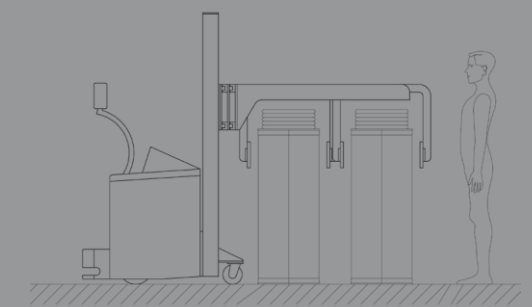
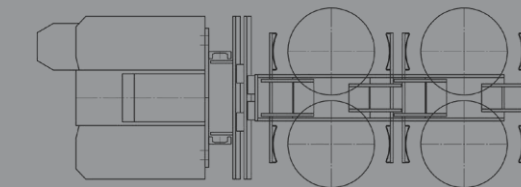
RECTANGULAR CAN TRANSPORT



AGV for rectangular cans:

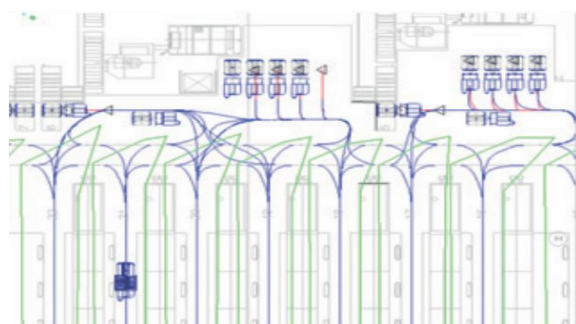
- moving three cans at a time
- individual loading / unloading of cans possible

ROUND CAN TRANSPORT

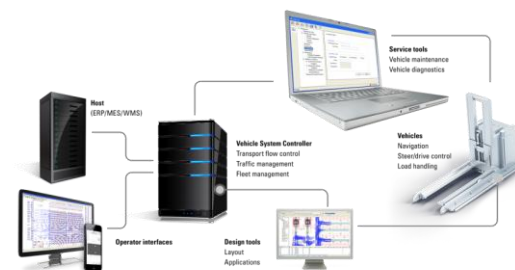


AGV for round cans:

- moving four cans at a time
- individual loading / unloading of cans possible



Simulation: Real time simulation models guarantee optimized material flow.



Control: Complet System Control by Neuenhauser.

Neuenhauser Maschinebau GmbH
 Hans-Voshaar-Sr. 5, D- 49828 Neuenhaus, Germany
www.neuenhauser.de